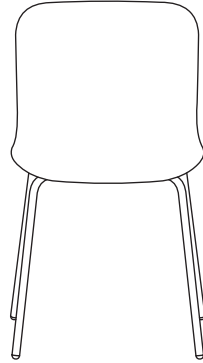


**Technical specification**

**Baltic 2 Basic** - seat polypropylene

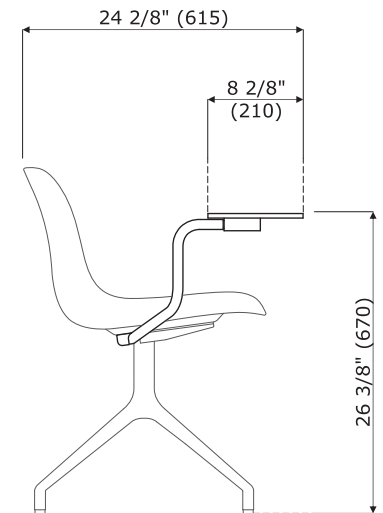
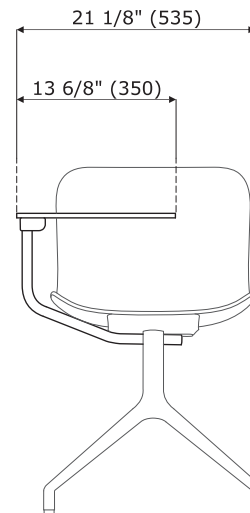


- max. load 120 kg

**Writing tablet**

**Dimensions (inch/mm)**

**OPTION WITH EXTRA CHARGE** - Writing tablet - plywood varnished; tablet + metal bracket arm - always in the same colour as the base



## Bases

**BLK1P1:**

- 4 - legged, metal, powder coated
- legs made of tube  $\varnothing$  6/8" ( $\varnothing$  18 mm)
- polypropylene feet

**BLK1P1****BLK1P13:**

- 4 - star, metal, powder coated
- swivel seat - 360°
- legs made of tube  $\varnothing$ 7/8" (22 mm)
- polypropylene feet

**BLK1P13****BLK1P13K:**

- 4 - star, metal, powder coated
- swivel seat - 360°
- legs made of tube  $\varnothing$ 7/8" (22 mm)
- castors for soft floors
- OPTION WITH EXTRA CHARGE - castors for hard floors

**BLK1P22:**

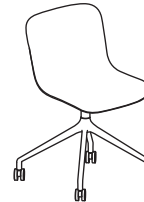
- 5 - star, aluminum,  $\varnothing$ =24 6/8" (630 mm), h=14 1/8" (360 mm), powder coated
- swivel seat - 360°
- gas spring, steel, color: black, adjustment range 4 6/8" (120 mm) (17 6/8 - 22 4/8" / 450-570 mm)
- castors for soft floors
- OPTION WITH EXTRA CHARGE - castors for hard floors

**BLK1P13K****BLK1P19, BLK1PP19:**

- 4 - star, aluminum, powder coated
- swivel seat - 360°
- aluminium cast
- legs finished with polypropylene feet

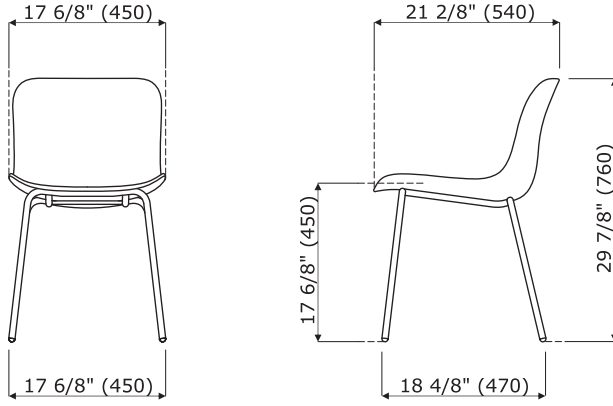
**BLK1P19K, BLK1PP19K:**

- 4 - star, aluminum, powder coated
- swivel seat - 360°
- aluminium cast
- castors for soft floors
- OPTION WITH EXTRA CHARGE - castors for hard floors

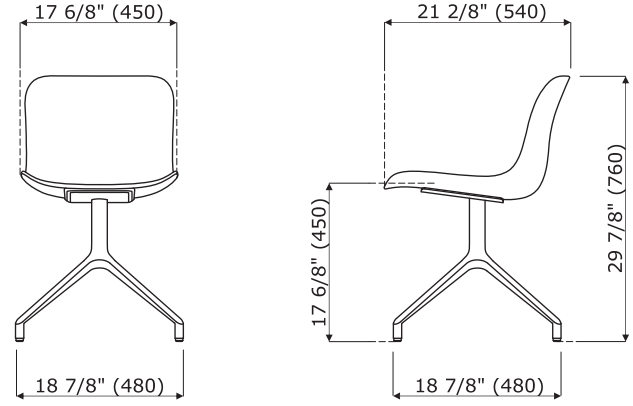
**BLK1P19  
BLK1PP19****BLK1P19K  
BLK1PP19K****BLK1P22**

Dimensions (inch/mm)

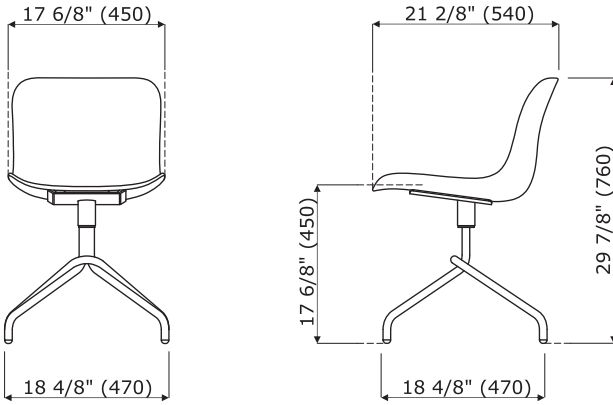
BLK1P1



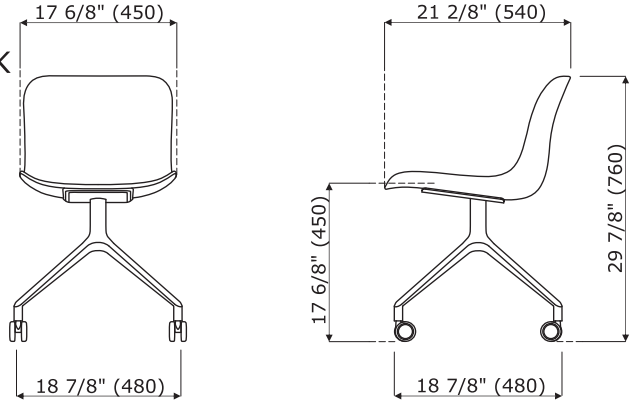
BLK1P19  
BLK1PP19



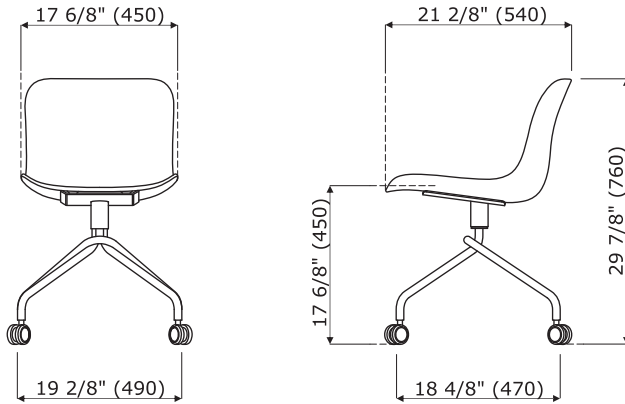
BLK1P13



BLK1P19K  
BLK1PP19K



BLK1P13K



BLK1P22

